

# StayPure Oblong Sanitizer

Another PurePlay package program from Berry Plastics



**PUREPLAY**  
INTEGRATED SOLUTIONS BY DESIGN



20 ± 0.3 [ .787 ± .012 ]

**BERRY**  
PLASTICS CORPORATION  
AND SUBSIDIARIES  
LEADERSHIP BY DESIGN



## 2 Ounce Oblong Sanitizer

Another PurePlay package program from Berry Plastics

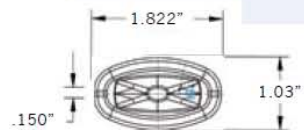
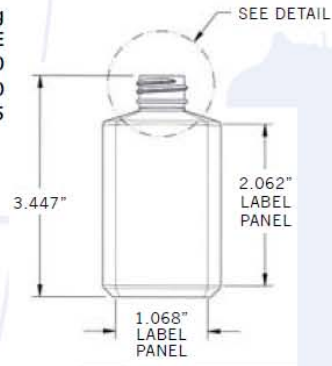
### BOTTLE

DESCRIPTION.....	2oz OBLONG SANITIZER
.....	M20 SP410 FINISH
MATERIAL.....	PET
NECK FINISH.....	20-410
COLOR.....	CLEAR, AVAILABLE IN ANY COLOR
OVERFLOW CAPACITY.....	66.4 + - 3.5ML
WEIGHT.....	9.0 g
PACK OUT.....	TUMBLE
BOTTLES PER BOX.....	950
BOTTLES PER PALLET.....	19,000
MOLD.....	7005



### CLOSURE

MOLD NUMBER.....	N/A
FAMILY.....	DISPENSING
TYPE.....	FINE RIB SIDES/MATTE TOP
STYLE.....	FLIP-TOP
DIAMETER.....	20MM
THREAD FINISH.....	410
MATERIAL.....	PP
WEIGHT.....	2.05g
SEALING-SYSTEM.....	LINERLESS-CRABS CLAW
CASE COUNT.....	3,500
CASE WEIGHT.....	18.4
CASES PER PALLET.....	20



• Unit Sales of hand sanitizer are up 54% in 2009, Berry can answer.

• "I take my hand sanitizer everywhere I go... even to church..."  
*Evelyn Johnson, 70 yr. old Long Island Grandmother*

• "... bottles of hand sanitizers have appeared everywhere from check out counters in supermarkets, to the reception desk at the international monetary fund."  
*When America Sneezes*  
*Financial Times, July 2009*

• "... as many as 1/3 the world population, 2 billion people could be infected"...  
*US Projects Swine Flu May Hit 40%, Many Deaths*  
*Chicago Tribune, July 2009*



### BERRY DESIGN CENTER

- Concept Exploration
- Rapid Prototyping
- Product Evaluation

### BERRY SHRINK FILM

- Club Packs
- Multi Packs
- Bulk Packs



### BERRY STRETCH WRAP

- Unitization
- Pallet Wrapping
- Machine & Hand Applied

**PUREPLAY**  
INTEGRATED SOLUTIONS BY DESIGN™



[www.berryplastics.com](http://www.berryplastics.com)

Corporate:

P.O. Box 959 • 101 Oakley St.  
Evansville, IN 47710

Phone 812.306.2000 • Fax 812.424.0128

333\_11-09